

# P430

P430 can detect humans, vehicles, and pets\* before sending real-time alerts. It greatly reduces the false alarms since less important objects are ignored by analyzing person and vehicle shapes on board.

## 1. Specs



1	Mount
2	Metal Aluminum Case
3	4 IR LEDs
4	High Definition Lens
5	5 Spotlights



1	Power
2	Reset Button
3	Network
4	Waterproof Lid

## 2. Setup and Install

### Set up the Camera

#### What's in the Box

**Note:** The package content may vary and update with different version and platforms, please take the below information only for a reference. And the actual package content are subject to the latest information on the product selling page.

P430



P430\*1



1m Network Cable\*1



Quick Start Guide\*1



Surveillance Sticker\*1



Mounting Template \*1



Pack of Screws\*1



Waterproof Lid \*1

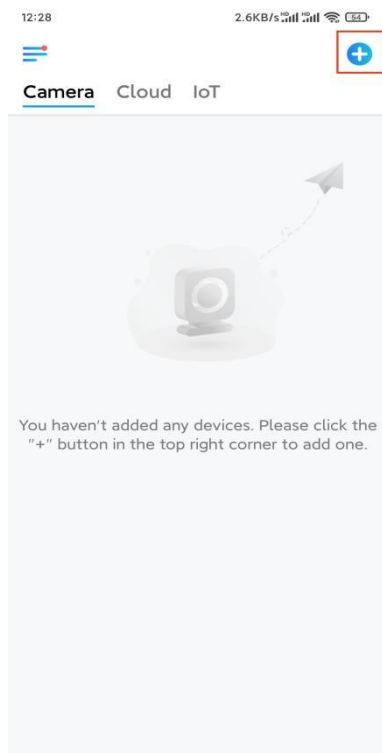


Wrench \*1

## Set up the Camera on the App

Here is a guide on how to initially set up the camera via Reolink App.

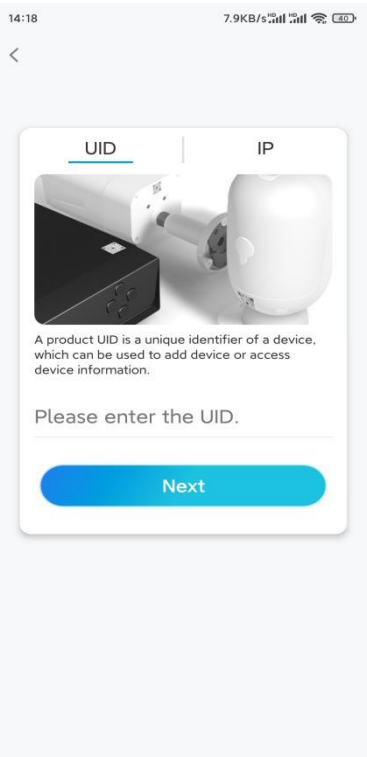
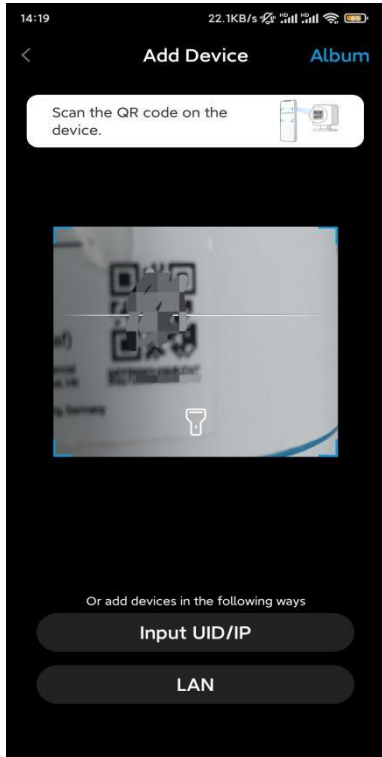
**Step 1.** Tap the icon  in the top right corner.



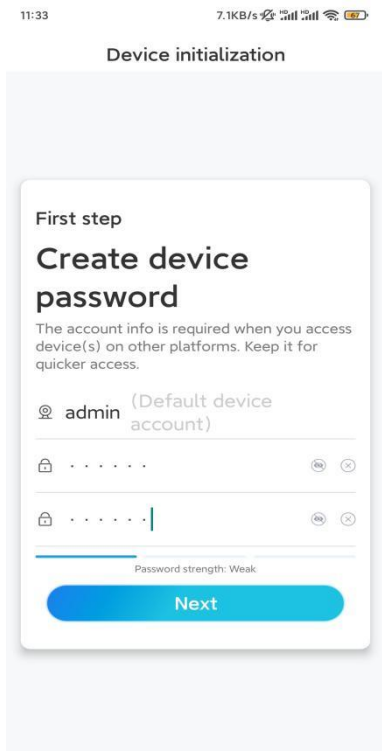
**Note:** If you've enabled the **Add Device Automatically** option on the App's Settings page, you can tap this device on the **Devices** page and turn to **Step 3** directly.

**Step 2.** Scan the QR code on the back of the camera. You may tap **Light** to enable a flashlight when setting up the camera in a dark environment.

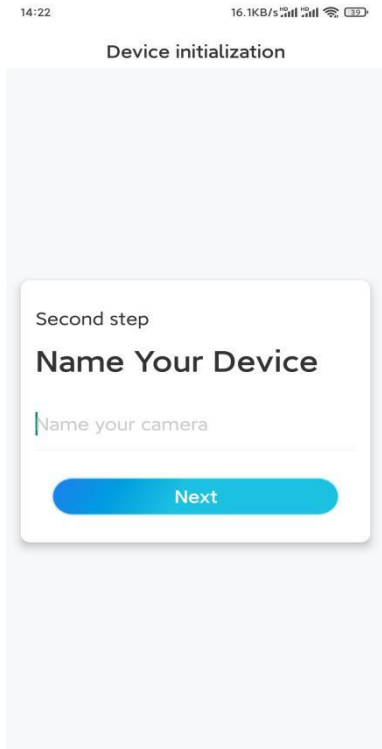
If the phone doesn't respond, please tap **Input UID/IP** and then manually type in the UID (16-digit characters under the QR code of the camera). Then tap **Next**.



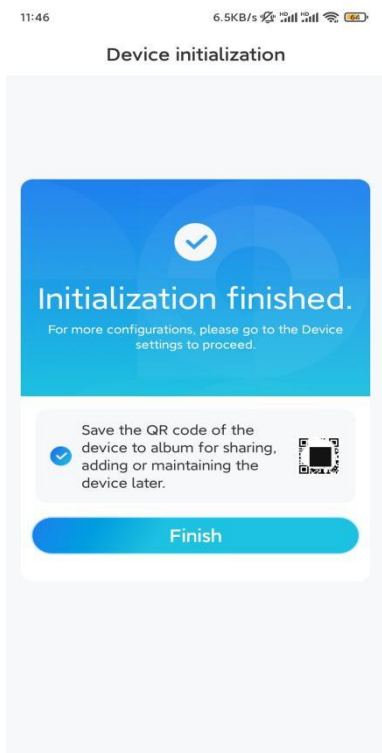
**Step 3.** Create a login password for your camera. Then tap **Next**.



**Step 4.** Name your camera. Then tap **Next**.



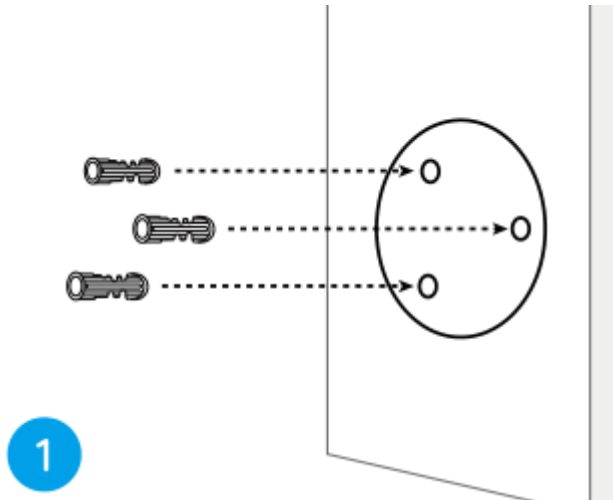
**Step 5.** Initialization finished! You can start live viewing now.



## Install the Camera

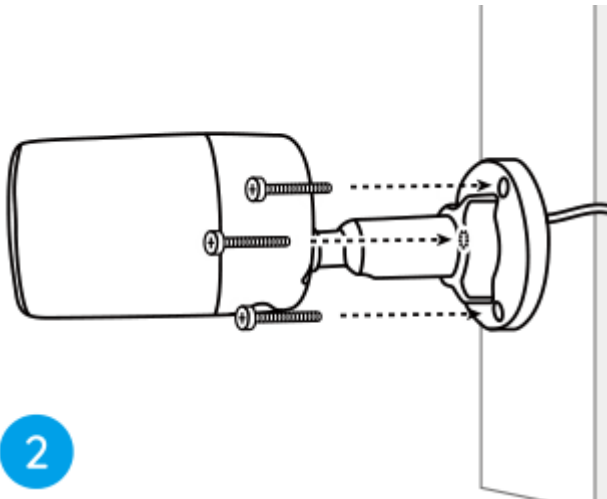
Please follow the steps below to install the camera.

**Step 1.** Drill holes in accordance with the mounting hole template.

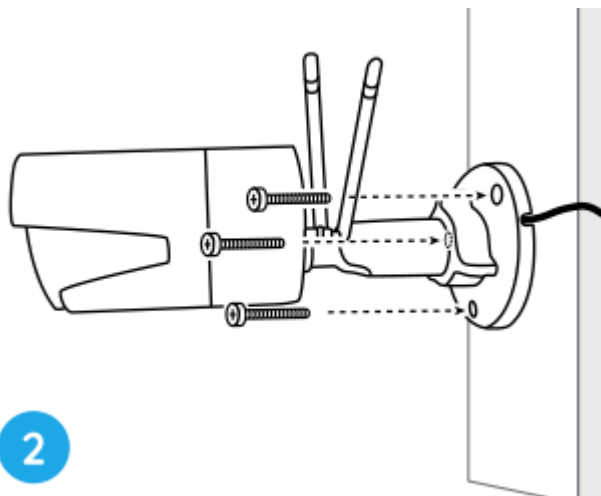


1

**Step 2.** Install the mount base with the mounting screws included in the package.  
(For WiFi cameras, please install antenna in advance)



2



2

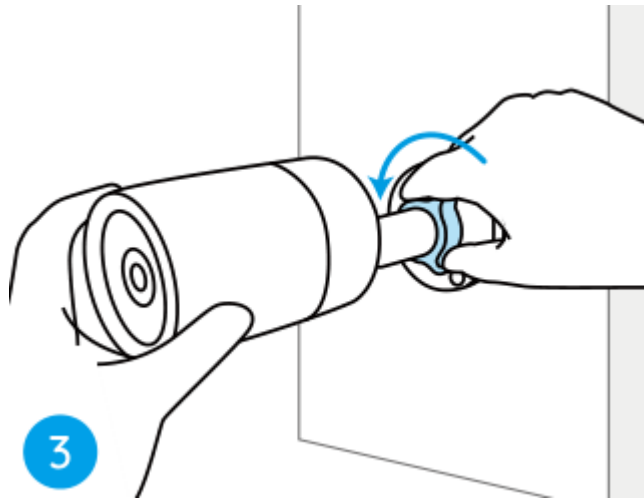
**Notes:**

Run the cable through the cable notch on the mount base.

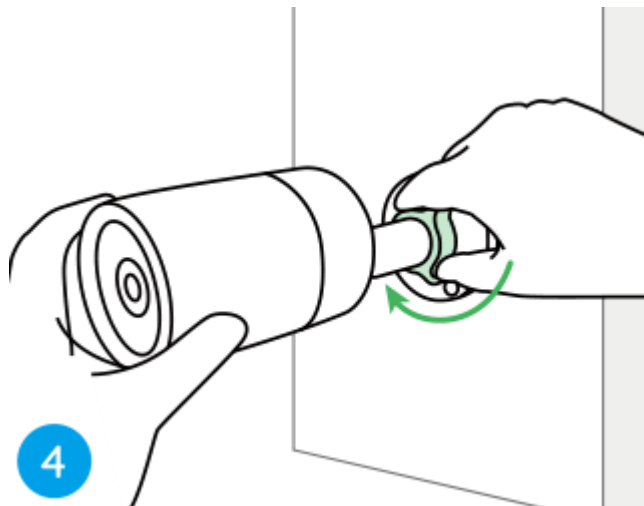
As for the WiFi camera, it is recommended that the antennas be installed upward

or horizontally for better WiFi connection.

**Step 3.** loosen the adjustment knob by twisting it counterclockwise on the security mount, and turn the camera to get an ideal view.



**Step 4.** Turn the knob clockwise to fix the camera in place.



**Note:** If your camera has another mount without the adjusting knob, please loosen the adjusting screw with the provided hex key and turn the camera as shown below to adjust the angle.

